



## DERAY®-AUTOSEAL – SEALING SYSTEM FOR AUTOMOTIVE MARKET

### DERAY®-Autoseal is a sealing solution for automotive electrical systems.

The combination of cellulose and superabsorbent polymers will protect electronic systems throughout the system's lifetime. To simplify production and cut costs, a fully automatic process is used to directly provide the cables with DERAY®-Autoseal.

#### FEATURES AND BENEFITS

- The system works continuously and repeatedly
- If temperature rises, the water absorbed will evaporate
- No assembly time needed due to fully automatic processing
- Absorbs up to 300 times its own weight in water
- Continuous operating temperature: -40°C to 150°C

#### STANDARDS

- Approved to BMW water blocking specification

#### TYPICAL APPLICATIONS

- Sealing of automotive electrical systems
- Water moisture ingress elimination
- Wire harness feed-through locations



**300x**  
ABSORPTION OF ITS OWN  
WEIGHT IN WATER

**-40°C to 150°C**  
(-40°F to 302°F)  
CONTINUOUS OPERATING  
TEMPERATURE

#### MARKETS:

Automotive

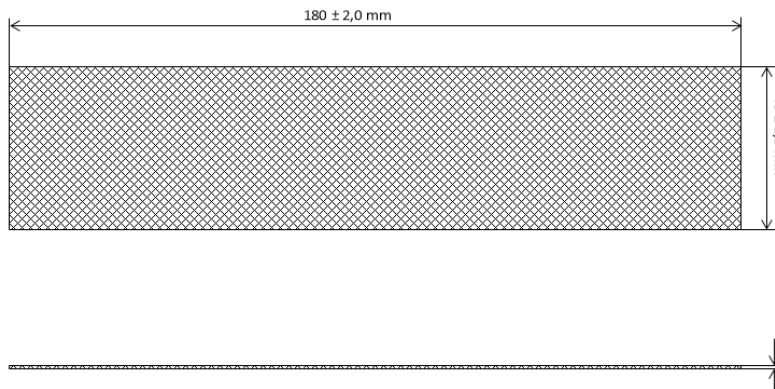
#### STANDARDS:



# Automatic sealing system for automotive electrical systems

## DIMENSIONS

| ORDER NUMBER | DIMENSIONS     |      | DELIVERY UNITS |     |
|--------------|----------------|------|----------------|-----|
|              | Lay Flat Width |      | Spool          |     |
|              | MM             | IN   | M              | IN  |
| 6220002100M  | 40.0           | 1.57 | 100            | 328 |
| 6220002200M  | 80.0           | 3.14 | 200            | 656 |



For automated application, we recommend DERAY®-Autosealman.

## ORDERING

- Please specify the product name, order number and options you require
- *Example:* DERAY®-Autoseal, 6220002100M, 40mm, 100m reel

Please contact your Customer Service Representative for information on custom colors, sizes, lengths and material data sheet.

## FOR FURTHER INFORMATION, PLEASE CONTACT:

Americas: 800 422 6872

Canada: 800 845 6808

Asia Pacific: +86 512 82280099

Europe: +49 2226 9047 355

All information contained in this datasheet is believed to be reliable. We advise however that customers should separately evaluate the suitability of our products for their particular application. Shawcor gives no guarantees in respect to accuracy or sufficiency of the information presented and disclaim any liability regarding its use. Our responsibilities are only those listed in our Standard Terms and Conditions of Sale for these products. In no instance will we be liable for any eventual, indirect, or consequential damage or damages arising from the sale, resale, transfer, use or misuse of the product. Subject to modification.